

## Plug Type Duplex Basket Strainer

# Model 50



- Sizes 5", 6", 8"
- Iron, Bronze, Carbon Steel, or Stainless Steel
- Flanged



### FEATURES

- Continuous flow, no shutdown for basket cleaning
- Rugged tapered plug design
- Lift jack prevents galling of the plug
- Quick open cover—no tools needed
- Large capacity baskets
- Threaded drain
- Machined basket seat
- Perforated or mesh 316 stainless steel basket

### OPTIONS

- Ductile iron construction
- Basket perforations from 1/32" to 1/2"
- Basket mesh from 20 to 400
- Monel baskets
- Vent valves
- Drain valves
- Gauge/vent taps - 1/4" NPT
- Magnetic basket inserts
- Pressure differential gauge and switch connections
- Viton, PTFE encapsulated, or EPDM seals
- Cast iron and stainless steel diverter plug



### Trouble-free Design, Easy Operation

The Eaton Model 50 plug type duplex strainer's design is simple and economical. This high-quality strainer is, in fact, a pressure rated plug valve with integral straining baskets.

To switch the flow from one basket to the other, the operating handle moves through a 90-degree arc. Because of the unique port design in the diverter plug, it is impossible for this operation to stop the flow. The entire switching operation takes fewer than 30 seconds, no tools required. Positioning the plug each time in exactly the right spot happens automatically by integral stops.

Before operating the handle, a specially designed, manual lifting jack built into the strainer, lifts the diverter plug

off its seat. After the switching operation, the jack easily reseats the plug, even under high pressures. Because a built-in stop limits the distance the diverter plug rises, it minimizes the possibility of material bypassing the plug while rotated to divert flow. It also prevents debris from building up under the plug and making it difficult to reseal.

### Other Features

- A quick, easy to open, swing-away yoke design cover goes back on just as fast as it came off
- Standard NPT drain taps simplify the draining of the basket chamber
- All sizes come with mounting legs for bolting the strainer to the floor for a rock solid installation



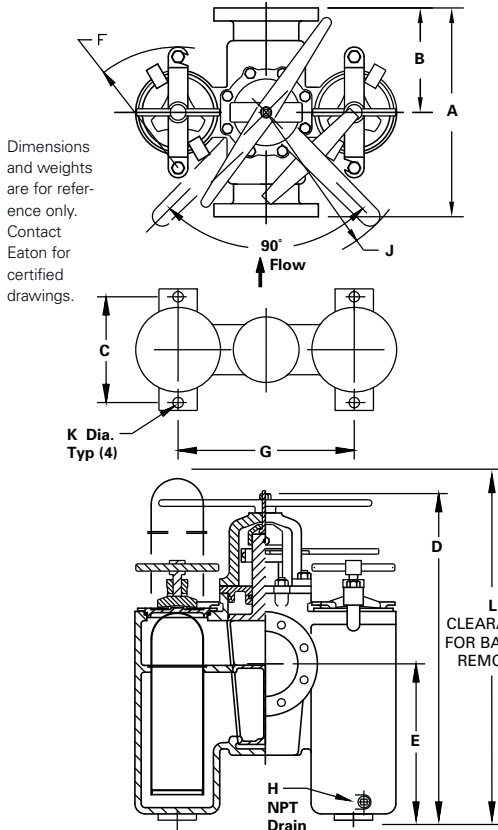
Powering Business Worldwide

# MODEL 50 Plug Type Duplex Basket Strainer

## Selection Chart

Size	Body Material	Plug Material	End Connections	Seals
5", 6", 8"	Iron	Bronze	Flanged 125#	Buna-N
5", 6", 8"	Bronze	Bronze	Flanged 150#	Buna-N
6", 8"	Carbon Steel	Bronze	Flanged 150#	Buna-N
6", 8"	Stainless Steel	Stainless Steel	Flanged 150#	Viton®

DIN flanges available on 6" only



Dimensions and weights are for reference only. Contact Eaton for certified drawings.

### Rating

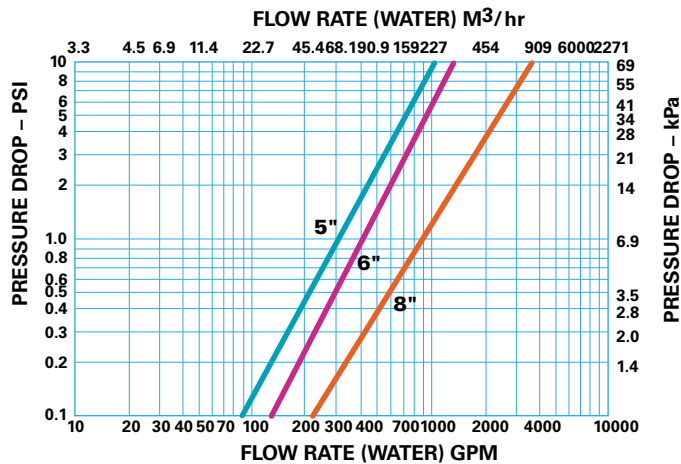
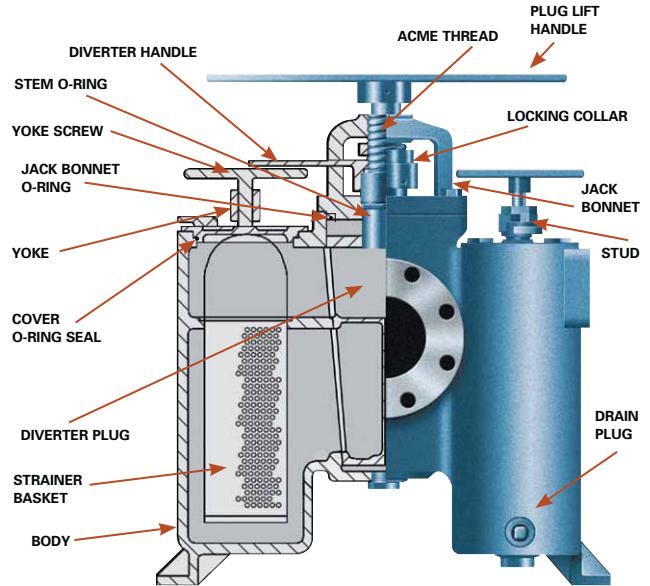
Size	Rating
5"	200 psi @ 100 °F.
6"	200 psi @ 100 °F.
8"	150 psi @ 100 °F.

### Cv Factors\*

Size	Value
5"	300
6"	420
8"	900

\* For water with clean, perforated basket

Partial cutaway of Model 50 duplex strainer clearly illustrates all major parts—and gives a clear indication of the simplicity of design and ease of maintenance.



## Dimensions (in/mm)

Pipe Size	A	B	C	D	E	F	G	H	Weight (lb / kg)				Cast Iron	Bronze	Steel	Steel
									Carbon	Stainless	J	K				
5	18.38	9.00	9.75	33.25	14.75	10.25	17.19	3/8	19.75	0.56	41.00	403	412	—	—	—
	467	229	248	845	375	260	437	—	502	14	1041	183	187	—	—	—
6	22.00	12.88	12.50	36.25	19.50	11.75	20.75	3/8	19.75	0.63	42.00	500	583	580	615	—
	559	327	318	921	495	298	527	—	502	16	1067	227	264	263	279	—
8	25.00	14.00	17.00	50.63	23.06	—	30.75	1/2	28.00	0.94	56.00	1500	1800	1610	1670	—
	635	356	432	1286	586	—	781	—	711	24	56	682	818	732	759	—

**Eaton**  
**North America – HQ**  
 44 Apple Street,  
 Tinton Falls, NJ 07724  
 Toll Free: 800 656-3344  
 (North America only)

Voice: +1 732 212-4700  
 Fax: 952 906-3706

**Eaton Brazil**  
 Voice: +55 11 2465 8822

**Eaton China**  
 Voice: +86-21 5200 0422

**Eaton Europe/Africa/Middle East**  
 Voice: +49-2486-809-0

**Eaton Singapore**  
 Voice: +65 6825 1668

©2013 Eaton Corporation. All Rights Reserved. All trademarks and registered trademarks are the property of their respective owners. Litho USA. All information and recommendations appearing in this brochure concerning the use of products described herein are based on tests believed to be reliable. However, it is the user's responsibility to determine the suitability for his own use of such products. Since the actual use by others is beyond our control, no guarantee, expressed or implied, is made by Eaton as to the effects of such use or the results to be obtained. Eaton assumes no liability arising out of the use by others of such products. Nor is the information herein to be construed as absolutely complete, since additional information may be necessary or desirable when particular or exceptional conditions or circumstances exist or because of applicable laws or government regulations.

For more information, e-mail us at [filtration@eaton.com](mailto:filtration@eaton.com)

Visit us online at [eaton.com/filtration](http://eaton.com/filtration) for a complete list of Eaton's filtration products.