

Model 53BTX



- Sizes 3/4" to 4"
- Iron, Bronze, Carbon Steel, or Stainless Steel
- Threaded or Flanged



Unique diverter cartridge assures leak-tight isolation of basket chamber during cleaning.

A double sealing system on the upper and lower stems guards against any possible leakage. If service becomes necessary, just remove four bolts and the cartridge slides right out the top of the strainer body.

FEATURES

- Dynamic sealing design for long life
- Easy-to-operate lever handle—no gear box required
- Unique seat and seal design requires no adjustments
- Teflon® seats for longer service life
- Foot pads for rock solid installation
- Double-stem O-rings for positive sealing
- Easy to access body vent valve
- Side drain plugs on each basket well
- Piston seal strainer basket cover
- Easy access for diverter cartridge removal
- 316 stainless steel ball design



Continuous Operation

Eaton's model 53BTX duplex basket strainer can operate continuously, eliminating the need to shut down processes for cleaning of strainers. When the first basket is full, a unique flow diverter cartridge shifts flow to a second basket to permit removal and cleaning with no interruption to operations.

Draining this chamber is easy; the cover lifts and swings clear of the chamber opening with no special tools required.

The unique flow diverter cartridge prevents fluid bypass into the out-of-service chamber. It features a dynamic sealing system that ensures exceptionally long seat life and positive sealing. Manual internal or external ball support adjustments are not necessary.

Size and Material

The compact, low-profile Model 53BTX fits into spaces ordinary strainers may not, yet it still uses full-size strainer baskets with a low-pressure drop performance. Eaton offers basket openings from 3/4" down to 45 microns. Type 316 stainless steel is standard and Monel or Hastelloy C materials are optional.

Easy Basket Servicing

One drain plug is on each side of the basket. Additionally, an easy to access vent valve is on top of each basket well cover. Standard foot mounting pads ensure a rock solid installation no matter where the strainer operates.

Available options include:

- Differential pressure gauges, with or without switches
- Magnetic separators installed in the strainer basket for removing fine ferrous particulate matter from the process media



Powering Business Worldwide

MODEL 53BTX Ball Type Duplex Basket Strainer

Selection Table

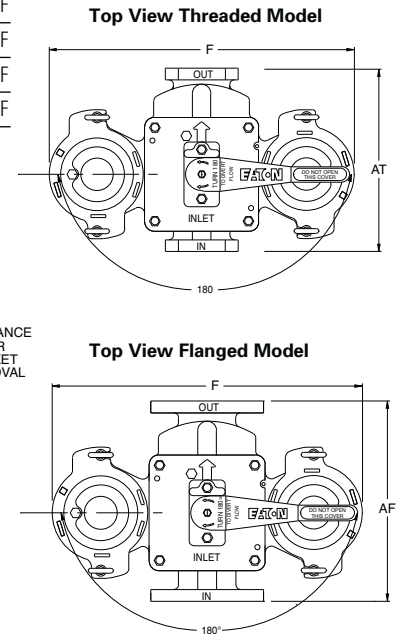
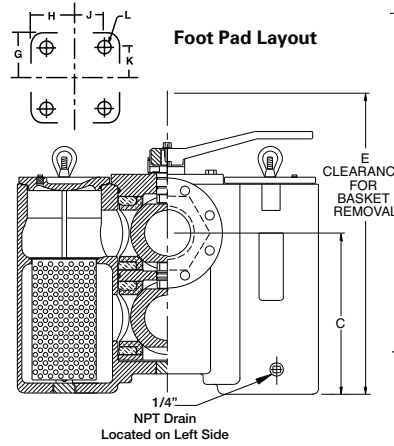
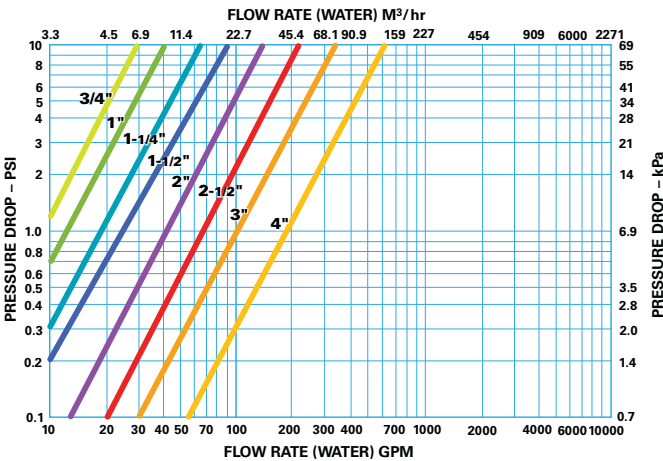
Size	Body & Cartridge Material	End Connection	Seat/Seal	Diverter Balls	Pressure Rating PSIG @ 150 °F
3/4", 1", 1-1/4", 1-1/2", 2", 2-1/2"	Iron	Threaded	TFE/ Buna-N*	Stainless Steel	200 psi @ 150 °F
3/4", 1", 1-1/4", 1-1/2", 2", 2-1/2"	Bronze	Threaded	TFE/ Buna-N*	Stainless Steel	200 psi @ 150 °F
3/4", 1", 1-1/4", 1-1/2", 2"	Carbon Steel	Threaded	TFE/ Buna-N*	Stainless Steel	200 psi @ 150 °F
3/4", 1", 1-1/4", 1-1/2", 2"	Stainless Steel	Threaded	TFE/ Viton®	Stainless Steel	200 psi @ 150 °F
1", 1-1/2", 2", 2-1/2", 3", 4"	Iron	Flanged 125#	TFE/ Buna-N*	Stainless Steel	200 psi @ 150 °F
1", 1-1/2", 2", 2-1/2", 3", 4"	Bronze	Flanged 150#	TFE/ Buna-N*	Stainless Steel	200 psi @ 150 °F
1", 1-1/2", 2", 2-1/2", 3", 4"	Carbon Steel	Flanged 150#	TFE/ Buna-N*	Stainless Steel	200 psi @ 150 °F
1", 1-1/2", 2", 2-1/2", 3", 4"	Stainless Steel	Flanged 150#	TFE/ Viton®	Stainless Steel	200 psi @ 150 °F

*Viton® standard for SSTL, optional for iron, bronze and carbon steel.

Cv Factors*

Size	Value	Size	Value
3/4"	13	2"	42
1"	13	2-1/2"	65
1-1/4"	18	3"	110
1-1/2"	25	4"	175

* For water with clean, perforated basket



Dimensions (in/mm)

Pipe Size	AF	AT	C	E	F	G	H	J	K	L	Weight – Iron		Weight – Bronze		Weight – Carbon & SS	
											Flanged (lb / kg)	Threaded (lb / kg)	Flanged (lb / kg)	Threaded (lb / kg)	Flanged (lb / kg)	Threaded (lb / kg)
3/4"	—	5.50 / 140	5.00 / 127	13.38 / 340	10.50 / 268	3.25 / 83	2.13 / 54	1.63 / 41	2.75 / 70	3/8	—	37 / 17	—	46 / 21	—	41 / 19
1"	6.88 / 175	5.50 / 140	5.00 / 127	13.38 / 340	10.50 / 268	3.25 / 83	2.13 / 54	1.63 / 41	2.75 / 70	3/8	42 / 19	37 / 17	52 / 24	46 / 21	47 / 21	41 / 19
1-1/4"	6.88 / 175	7.50 / 190	6.81 / 173	17.00 / 432	13.25 / 330	3.25 / 83	2.13 / 54	1.63 / 41	2.75 / 70	3/8	—	80 / 36	—	100 / 45	—	89 / 40
1-1/2"	9.38 / 238	7.50 / 190	6.81 / 173	17.00 / 432	13.25 / 330	3.25 / 83	2.13 / 54	1.63 / 41	2.75 / 70	3/8	90 / 41	80 / 36	113 / 51	100 / 45	100 / 45	89 / 40
2"	10.63 / 270	10.00 / 254	8.38 / 213	21.75 / 552	17.38 / 441	4.69 / 119	2.50 / 64	1.81 / 46	4.00 / 102	5/8	167 / 76	157 / 71	209 / 95	197 / 90	185 / 84	174 / 79
2-1/2"	10.75 / 273	10.00 / 254	8.38 / 213	21.75 / 552	17.37 / 441	4.69 / 119	2.50 / 64	1.81 / 46	4.00 / 102	5/8	183 / 83	157 / 71	229 / 104	197 / 90	203 / 92	—
3"	13.50 / 343	—	8.88 / 226	26.50 / 673	22.75 / 578	4.69 / 119	2.50 / 64	1.81 / 46	4.00 / 102	5/8	285 / 129	—	357 / 162	—	432 / 196	—
4"	16.00 / 406	—	13.25 / 337	33.00 / 838	24.75 / 629	5.19 / 132	3.94 / 100	3.25 / 83	4.50 / 114	5/8	389 / 177	—	487 / 221	—	432 / 196	—

Dimensions and weights are for reference only. Contact Eaton for certified drawings. Pressure equalizing valve and piping standard on 4" Model 53BTX duplex strainers.

Eaton
North America – HQ
 44 Apple Street,
 Tinton Falls, NJ 07724
 Toll Free: 800 656-3344
 (North America only)

Voice: +1 732 212-4700
 Fax: 952 906-3706

Eaton Brazil
 Voice: +55 11 2465 8822

Eaton China
 Voice: +86-21 5200 0422

Eaton Europe/Africa/Middle East
 Voice: +49-2486-809-0

Eaton Singapore
 Voice: +65 6825 1668

©2013 Eaton Corporation. All Rights Reserved. All trademarks and registered trademarks are the property of their respective owners. Litho USA. All information and recommendations appearing in this brochure concerning the use of products described herein are based on tests believed to be reliable. However, it is the user's responsibility to determine the suitability for his own use of such products. Since the actual use by others is beyond our control, no guarantee, expressed or implied, is made by Eaton as to the effects of such use or the results to be obtained. Eaton assumes no liability arising out of the use by others of such products. Nor is the information herein to be construed as absolutely complete, since additional information may be necessary or desirable when particular or exceptional conditions or circumstances exist or because of applicable laws or government regulations.

For more information, e-mail us at filtration@eaton.com

Visit us online at eaton.com/filtration for a complete list of Eaton's filtration products.