

MediaGem™ Sand Filter System

Filtration Down to .45 microns



MediaGem Features and Benefits:

- Remove floating and suspended solids as small as .45 microns, perfect for applications where ultrafine filtration is critical to system operation
- Specialized layered media provides effective ultrafine filtration and improves upon traditional sand filter solids removal efficiencies, providing filtration as low as .45 micron
- LAKOS proprietary lateral underdrain system supports optimum flow rates and provides proper fluidization of the media bed as required, further assisting with reduced backwash cycles and improved filtration efficiencies
- Low horsepower requirements consistent with sizing requirements result in reduced energy consumption
- Fully automatic system with optional BMS (Building Management System) integration makes unit easy to operate and maintain
- Multiple units can be combined to filter flow rates larger than 100 US gpm (22 m³/hr)
- MediaGem Sand Filters can be easily paired with LAKOS Separators to greatly reduce backwash cycles – hence saving water and reducing water use and disposal costs
- Backed by LAKOS manufacturing quality and customer quality standards

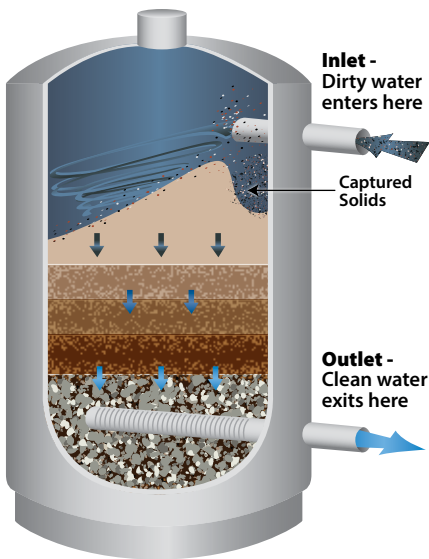
FLOW RATES:

Maximum Pressure Rating: 100psi (6.9 bar).

Higher pressure systems available

Maximum Operating Temperature: 105° F (40°C)

How it Works



LAKOS MediaGem™ Sand Filters provides .45 μm (microns) filtration by using a tangential entry to create centrifugal action inside the tank. This action causes large particles to settle on one side of the tank, while increasing surface area to filter lighter and smaller particles, allowing the sand filter to remove particles smaller than 5 μm.

FILTRATION APPLICATIONS:



Closed Loop

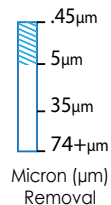


Side Stream

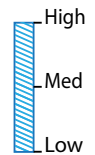
WATER USAGE



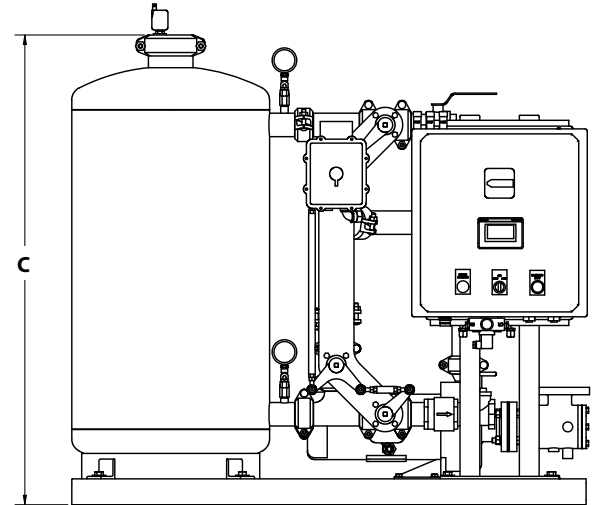
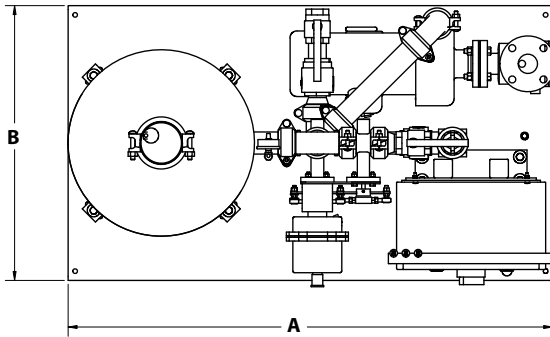
SOLIDS METER



MAINTENANCE



Models & Dimensions



MediaGem Dimensions

Models	Dim A		Dim B		Dim C	
	inches	mm	inches	mm	inches	mm
MTS-20-50-A-C	54	1372	30	749	48	1207
MTS-24-75-A-C	54	1372	30	749	54	1364
MTS-30-100-A-C	58	1473	30	749	60	1536

More detailed CAD drawings and CSI specifications are available at LAKOS.com.

MediaGem Models

Select model based on Flow Rates. LAKOS recommends 5% side stream.

Models	Flow Rates		Inlet/Outlet	Backwash Inlet	Backwash Flow Rate	System Weight*		HP/kW	Full Load Amperage		
	US gpm	m ³ /hr				lbs	kgs		208V	230V	460V
MTS-20-50-A-C	50	11.4	2"	1.5"	30 US gpm	650	294	1.5HP/1.12kW	6.6	6.0	3.0
MTS-24-75-A-C	75	17.0	2.5"/2"	1.5"	40 US gpm	765	347	1.5HP/1.12kW	6.6	6.0	3.0
MTS-30-100-A-C	100	22.7	3"/2"	1.5"	50 US gpm	981	444	2HP/1.49kW	7.5	6.8	3.4

*Weight without sand and water

Other LAKOS Filtration Solutions

eTCX Tower Clean Systems.
See LAKOS literature
LS-910 at lakos.com



STS Sand Filter System
(Stainless Steel).
See LAKOS literature
LS-640 at lakos.com



Claude Laval Corporation, headquartered in Fresno California since 1972, is recognized worldwide for engineering, manufacturing and marketing the original centrifugal action solids from liquids separator and being the world-wide leader in cyclonic separation technology.

LAKOS Separators are manufactured in the USA. 

MTS Sand Filter is warranted for one (1) year from date of delivery. If installed 6 months or more after ship date, warranty shall be a maximum of 18 months from ship date. For detailed warranty information visit <http://www.lakos.com>.

LAKOS is an active member of the U.S. Green Building Council
LAKOS is a proud and contributing member of ASHRAE for over 30 years

LAKOS Separators are manufactured and sold under one or more of the following U.S. Patents: 5,320,747; 5,338,341; 5,368,735; 5,425,876; 5,578,203; 5,622,545; 5,653,874; 5,894,995; 6,090,276; 6,143,175; 6,167,960; 6,202,543; 7,000,782; 7,032,760 and corresponding foreign patents, other U.S. and foreign patents pending.

LAKOS® and MediaGem™ are trademarks of Claude Laval Corporation.

LS-920 (Rev. 3/13)